

SUBWOOFER 300watts RMS

FEATURES

- Steel basket
- High flux ferrite magnet system
- 1.5" Kapton voice coil
- PP cone rubber edge

GENERAL DATA

Overall dimensions DxH	309 mm x 144 mm (12"x5.6")
RMS power	300 W
Peak power	600 W
Sensitivity 2.83V/1M	87 dB
Frequency response	30-1.5 KHz
Cone material	PP

ELECTRICAL DATA

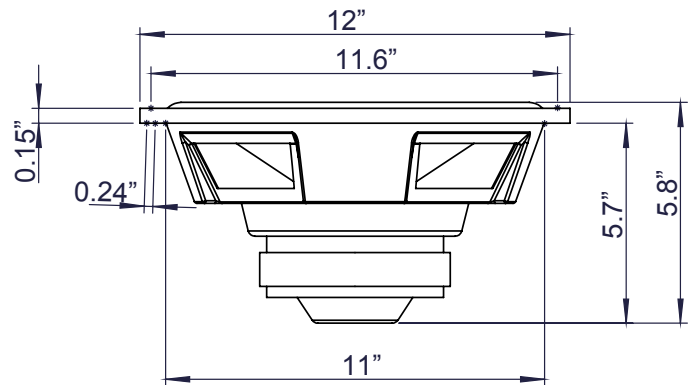
Nominal impedance	3.6 Ohm
DC Resistance	4 Ohm
Voice coil inductance (LBM)	15 mH

VOICE COIL AND MAGNET PARAMETERS

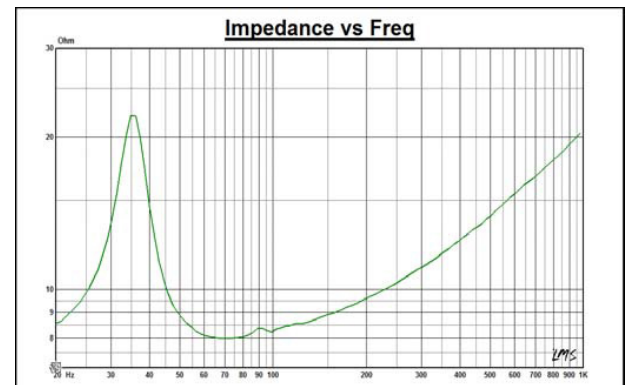
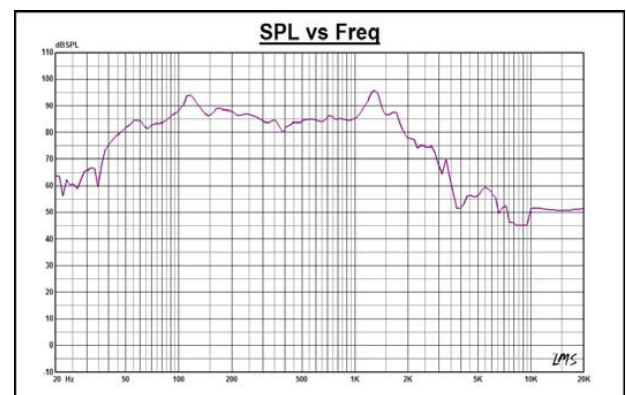
Voice coil diameter	38.6 mm (1.5")
Voice coil height	24.8 mm (0.97")
HE magnetic gap height	10 mm (0.39")
Max linear excursion	7.4 mm (0.29")
Voice coil bobbin	Kapton
Voice coil wire	Copper
Number of layers	4 layers
Magnet system type	High flux dual magnet
B flux density	0.67 T
BL product	14.3 N.A

T-S PARAMETERS

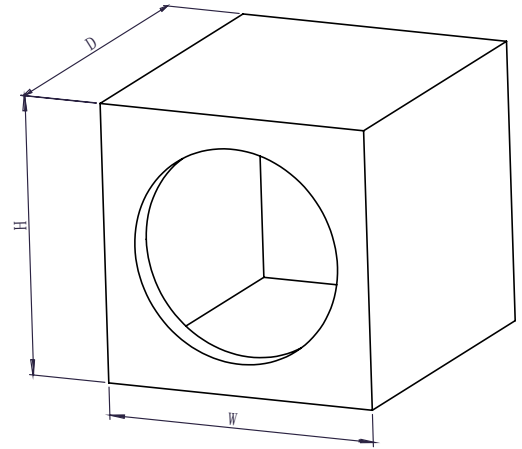
Suspension compliance (Cms)	0.0119 mm/N
Mechanical Q factor (Qms)	3.4
Electrical Q factor (Qes)	0.7
Total Q factor (Qts)	0.58
Moving mass (Mms)	173 gr
Eq. cas air load (liters) (VAS)	51.8 lt (1.8 cu.ft)
Resonant frequency (Fs)	35 Hz
Effective piston area (SD)	551 cm ²



Overall diameter 309 mm (12")
 Cut out diameter 280 mm (11")
 Flange thickness 4.0 mm (0.15")
 Overall height 147.2 mm (5.8")
 Basket/magnet depth 144 mm (5.7")
 Mounting holes location diameter 298 mm (11.6")
 8 Mounting holes, at 45° interval, inner hole diameter Ø 6.3 mm (0.24")



SUBWOOFER	RECOMMENDED SEALED ENCLOSURES				
	Volume (net int)	External Dimensions (Width x Height x Depth)	F3 (Hz)	Fc (Hz)	Qtc
FLAME10	0.54 cu.ft 15.3 liters	17.9in.x11.6in.x7.7in. 455mm x295mm x196mm	69	60	0.6
FLAME12	1.08 cu.ft 30.5 liters	21.7in.x14in.x9.2in. 550mm x355mm x233mm	49	57	0.9
FLAME15	1.72 cu.ft 48.7 liters	24.9in.x15.39in.x10.4in. 633mm x405mm x265mm	39	52	1



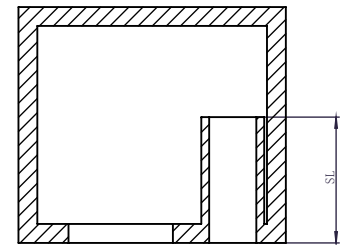
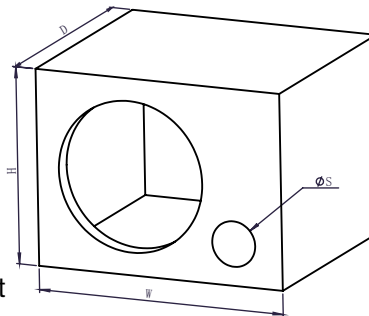
SUBWOOFER	RECOMMENDED VENTED ENCLOSURES				
	Volume (net int)	External Dimensions (Width x Height x Depth)	Slot Port Internal Dimensions (Port Hole S x Long SL)	Tune to: (Hz)	F3 (Hz)
FLAME10	0.735 cu.ft 20.8 liters	19.7in.x12.7in.x8.5in. 500mm x323mm x215mm	2.05in.x5.9in 52mm x150mm	42	42
FLAME12	1.363 cu.ft 38.6 liters	23.4in.x15.0in.x9.8in. 595mm x381mm x249mm	3.2in.x6.3in 82mm x160mm	39	43
FLAME15	2.55 cu.ft 72.2 liters	28.5in.x18.1in.x11.8in. 723mm x461mm x299mm	3.54in.x7.1in 90mm x180mm	39	32

- The enclosure recommendations listed are **external** dimensions which assume the use of **3/4" (19mm)** thick material. If you are using **5/8" (16mm)** thick material, subtract **1/4" (6.5mm)** from each dimension. Do not use any material with a thickness of less than **5/8" (16mm)** as this may compromise the rigidity of the enclosure.

- All enclosure volumes are net internal volumes.** Box volume displacement, port displacement and brace displacement must be added to obtain the final gross internal volume. All enclosure dimensions listed have already taken this into account.

- When using **two** subwoofers in a common enclosure simply **double** the required volume and, in the case of a ported enclosure, use **two times** the recommended port(s).

- We recommend the use of this speaker in a **bi-amplified system** using high-quality satellite speakers and amplifiers. We do not recommend the use of this subwoofer with a **passive crossover (coil)**, as this type of device will adversely affect performance.



Prolonged exposure to sound pressure levels in excess of 100dB can cause permanent hearing loss. This high-performance speaker can exceed this level. Please exercise restraint in its operation in order to preserve your ability to enjoy its fidelity.

When installing a subwoofer in your vehicle, it is extremely important to secure the enclosure firmly. We recommend bolting the enclosure through the metal of the floorplan or the frame of the vehicle with large diameter washers for reinforcement. If an enclosure is not firmly attached, it can become a projectile in a collision. This is particularly important in a hatchback, station wagon, sports utility vehicle or van.